



FC300 FLUME ANCILLARIES (DATASHEET 1 OF 6)

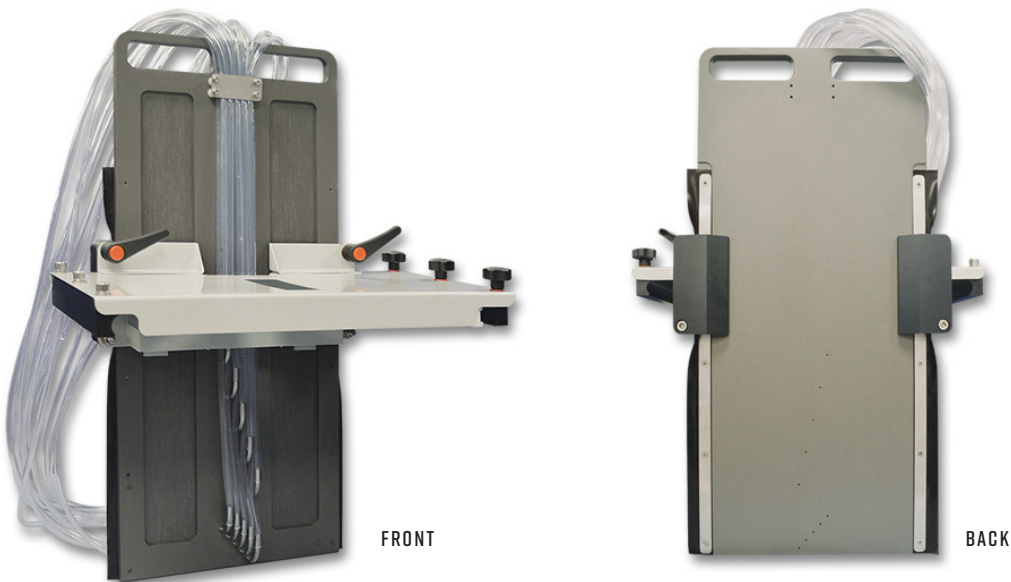
GATES

Optional gates for use with TecEquipment's 300 mm Flumes (FC300 range).



RADIAL SECTOR GATE (FC300B)

A radial section gate for experiments to demonstrate the head/flow and discharge characteristics of a radial gate.



SLUICE GATE WITH TAPPINGS (FC300C)

A sluice gate with ten tappings across its face. It enables students to investigate changes in pressure across the face of a sluice gate; also how the pressures vary with flow rate and depth.



GATES

STANDARD FEATURES

- Five-year warranty
- Manufactured in accordance with the latest European Union directives
- ISO9001 certified manufacturer

EXPERIMENTS FOR

- Flow Channel (FC300)

SPECIFICATIONS

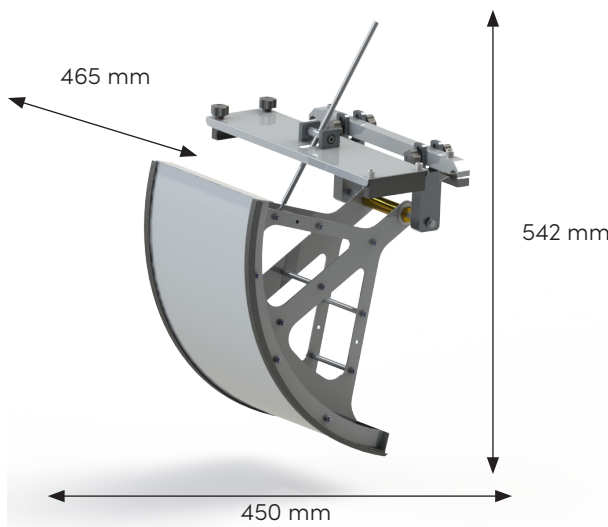
TecQuipment is committed to a programme of continuous improvement; hence we reserve the right to alter the design and product specification without prior notice.

RADIAL SECTOR GATE (FC300B)

DIMENSIONS:

Height: 542 mm; width: 465 mm; depth: 450 mm

WEIGHT: 14 kg



SLUICE GATE WITH TAPPINGS (FC300C)

DIMENSIONS:

Height: 670mm; width: 465 mm; depth: 290 mm

WEIGHT:

18 kg

